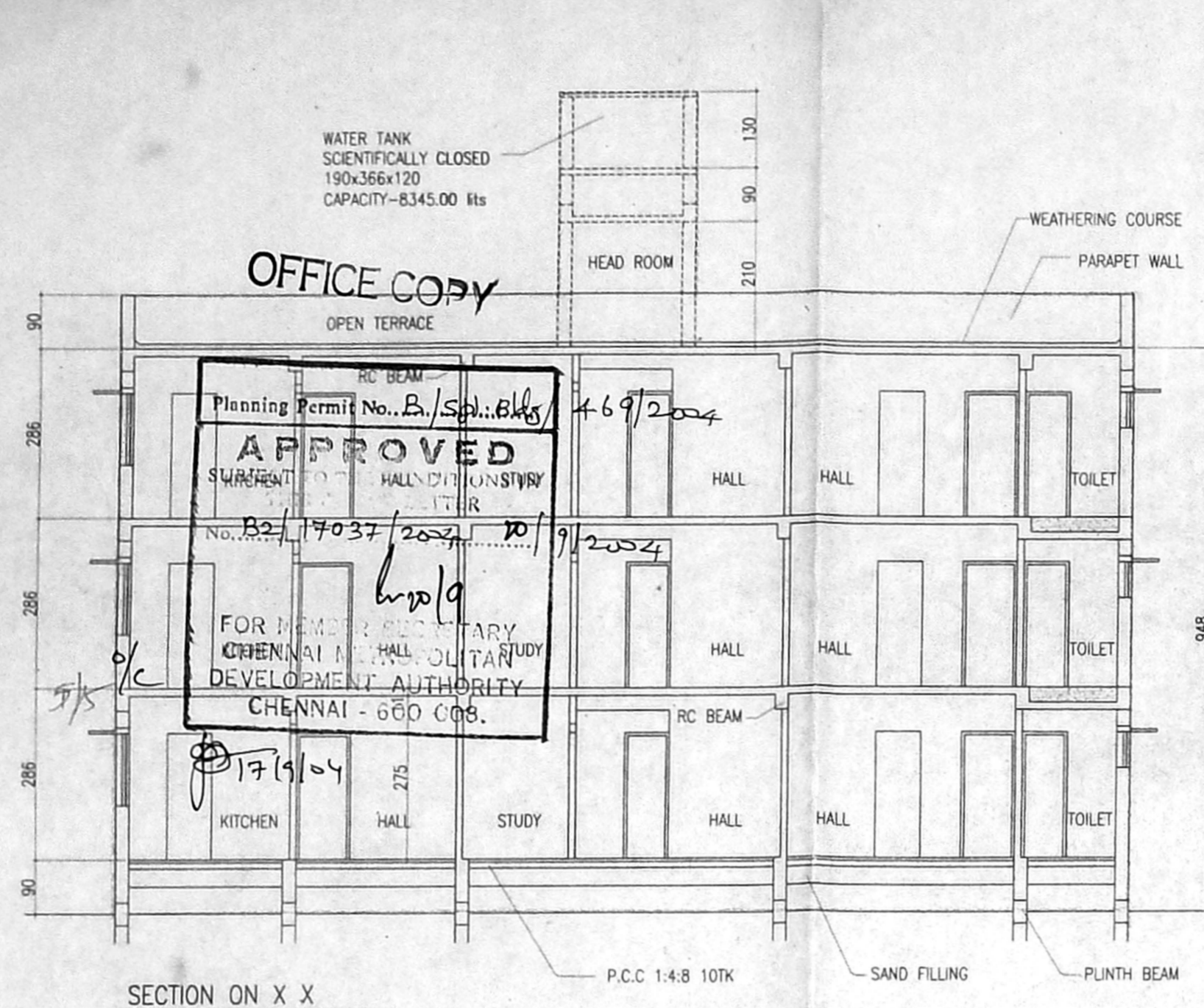
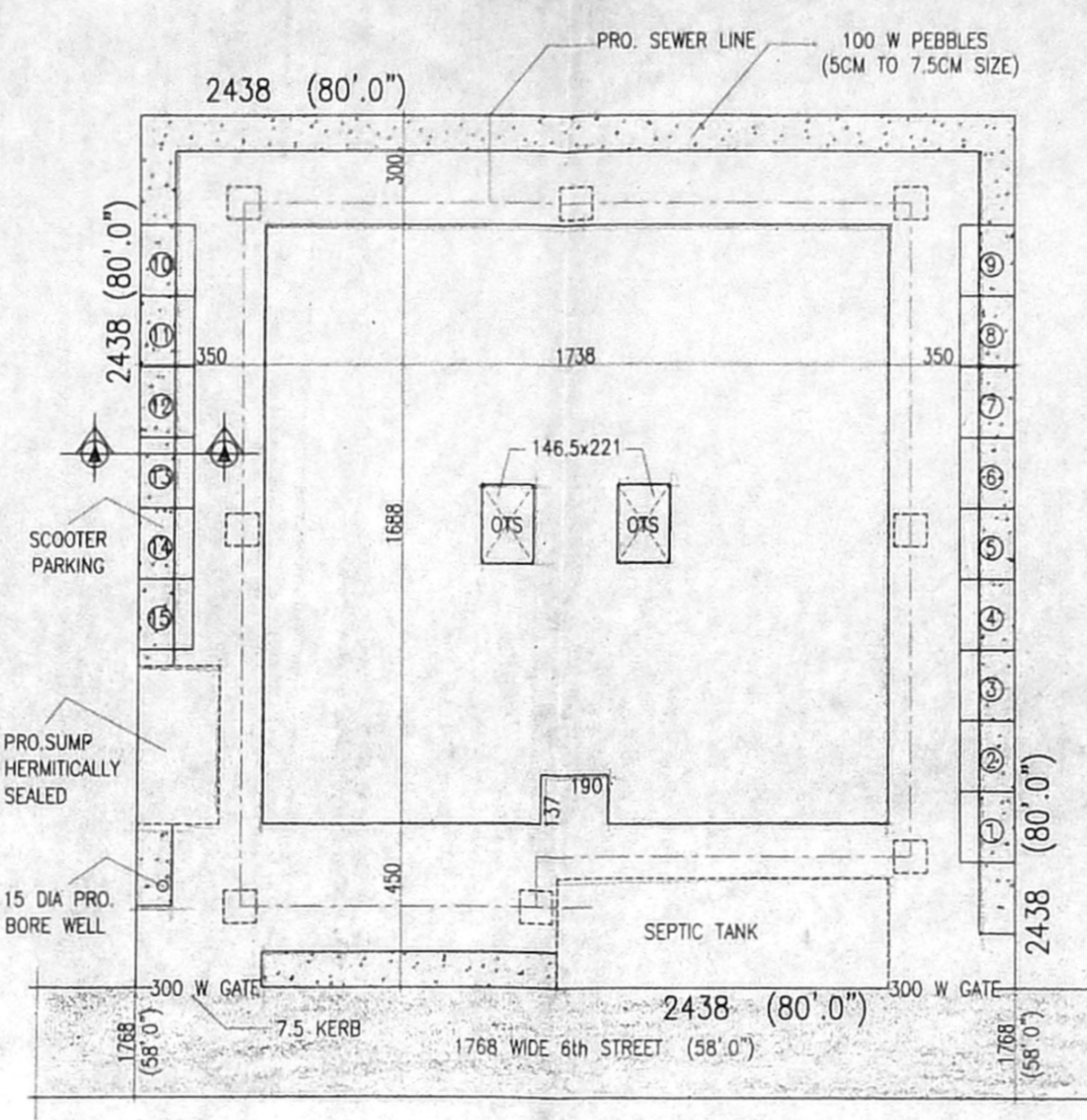


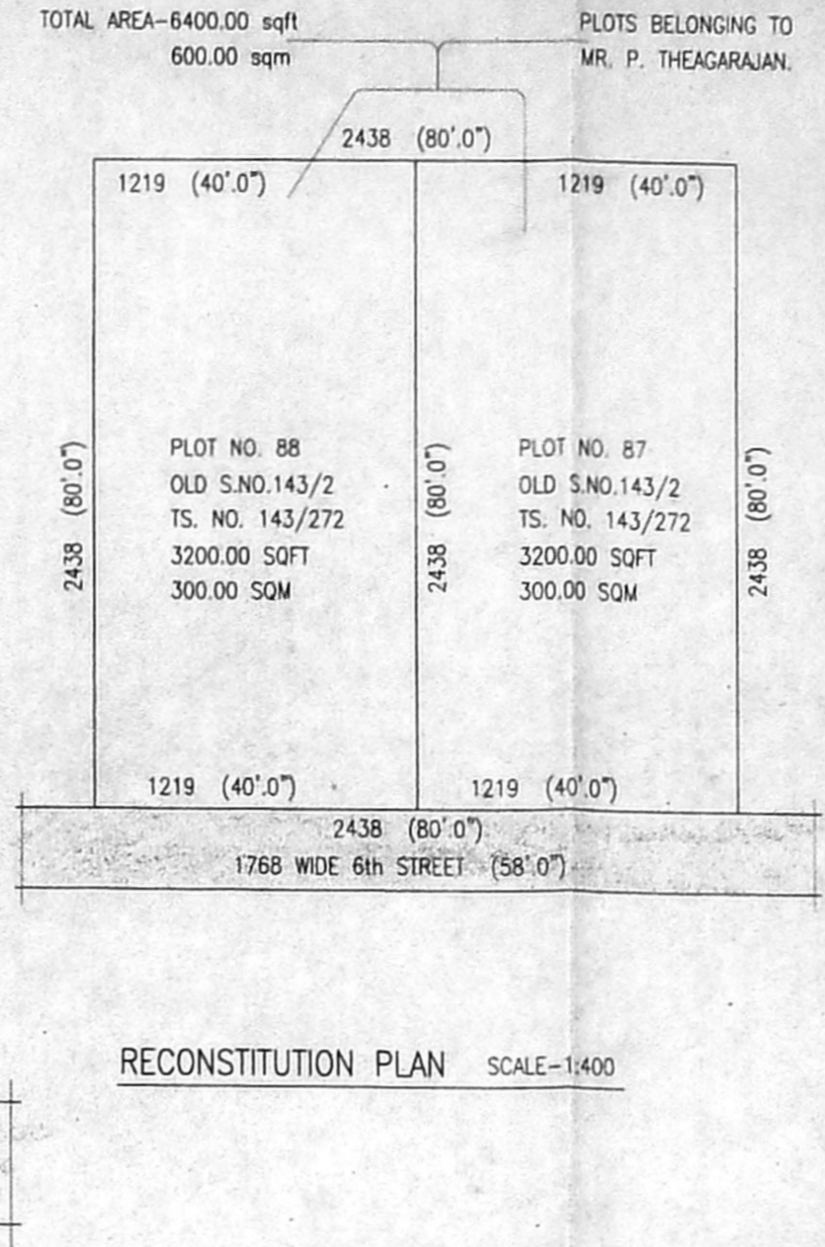
FRONT ELEVATION



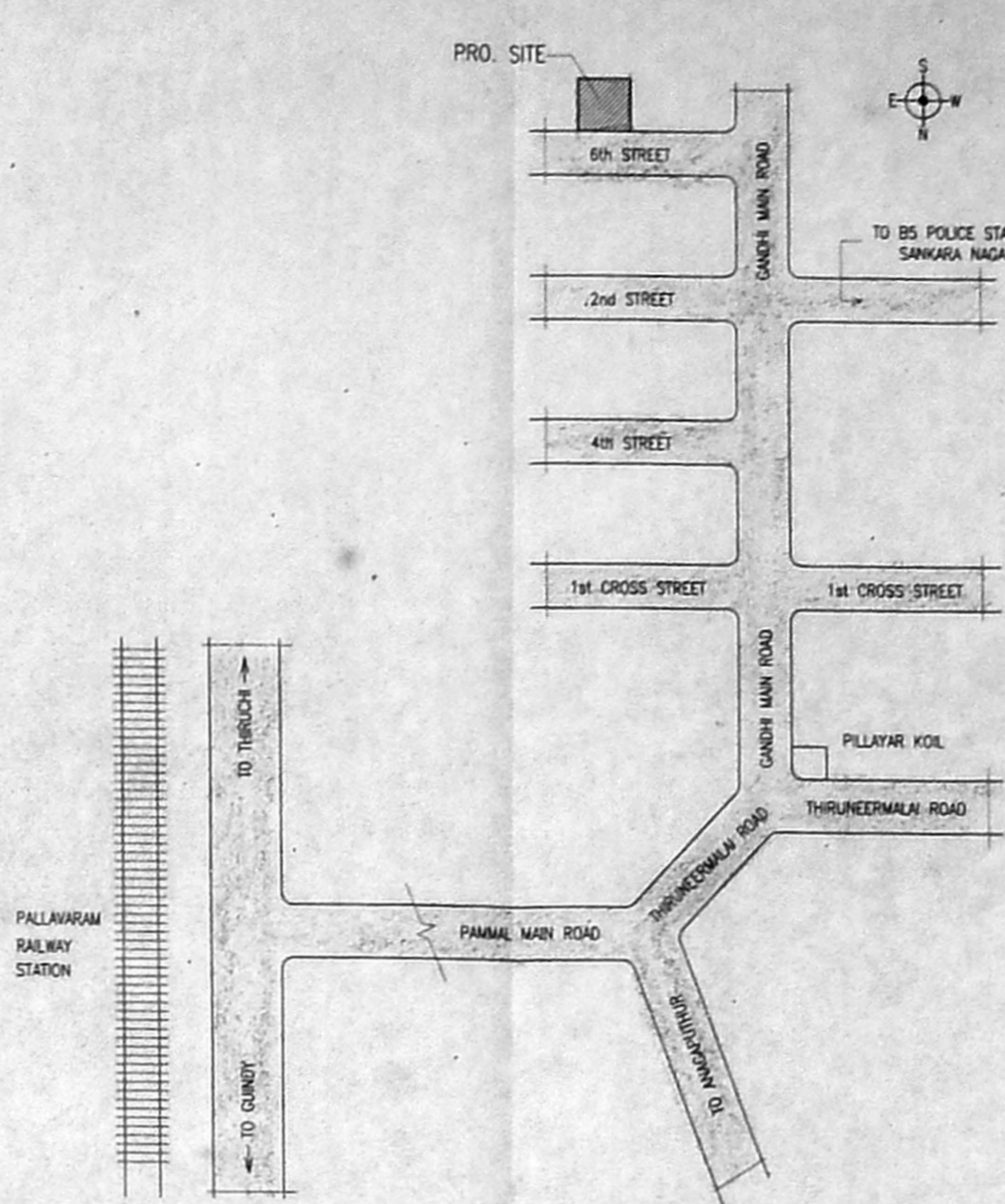
SECTION ON X X



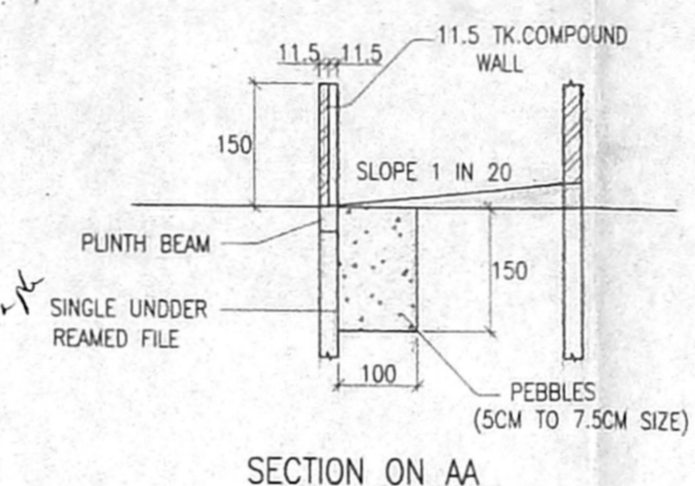
SITE PLAN SCALE-1:200



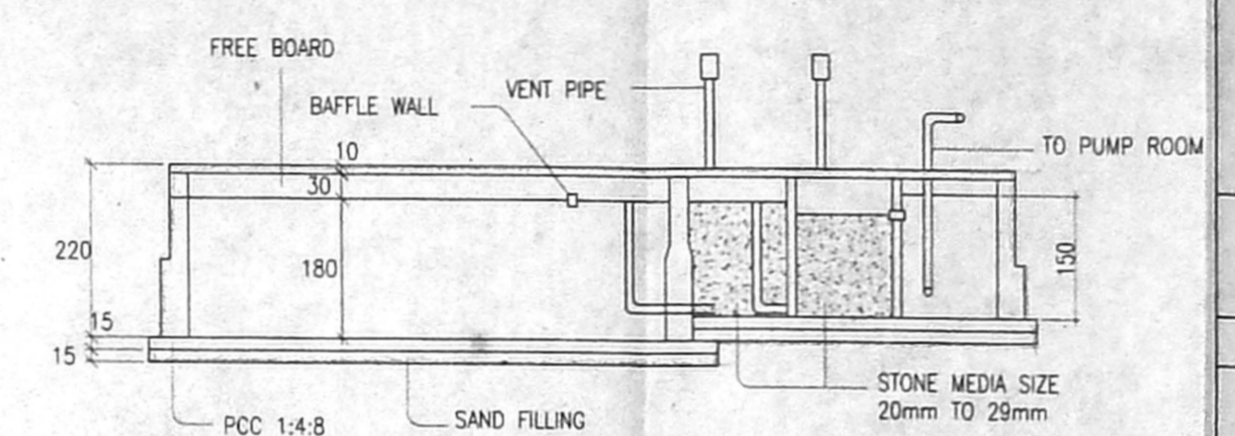
RECONSTITUTION PLAN SCALE-1:400



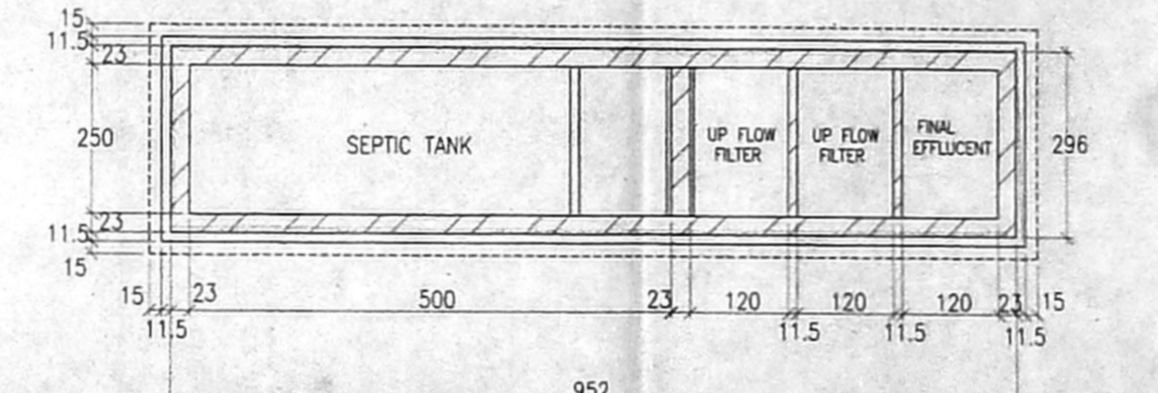
KEY PLAN NOT TO SCALE



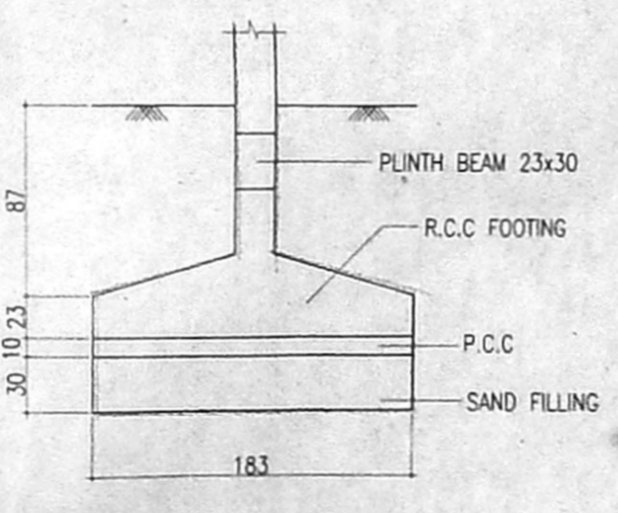
SECTION ON AA



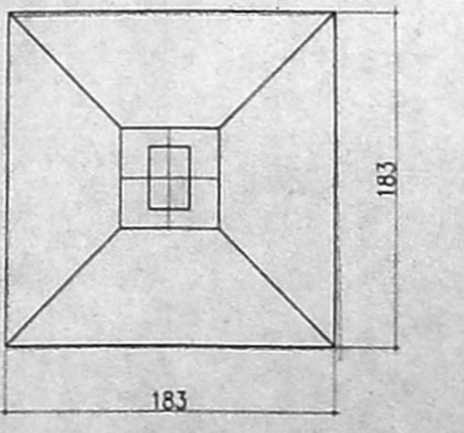
SECTION OF SEPTIC TANK



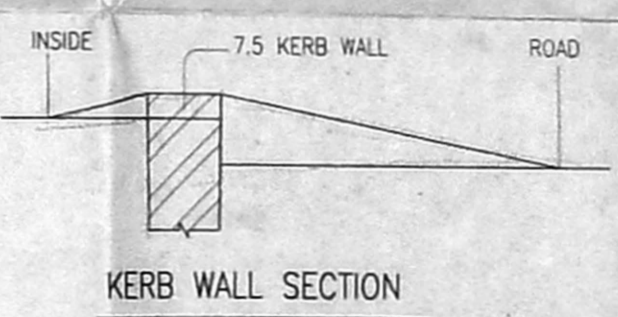
PLAN OF SEPTIC TANK



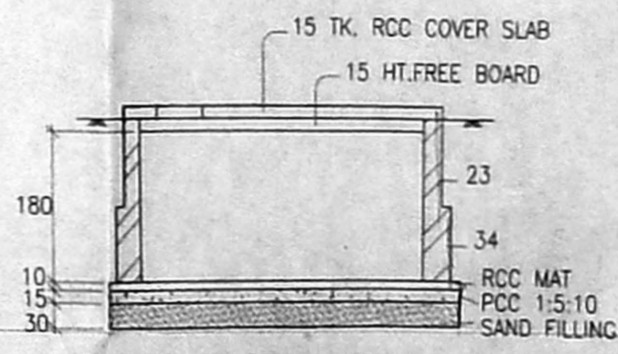
SECTION OF FOUNDATION DETAIL



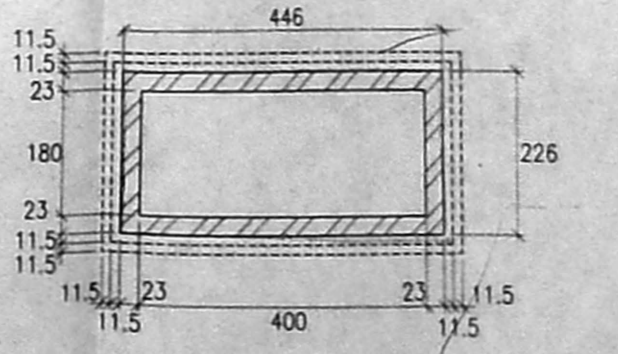
PLAN OF FOUNDATION DETAIL



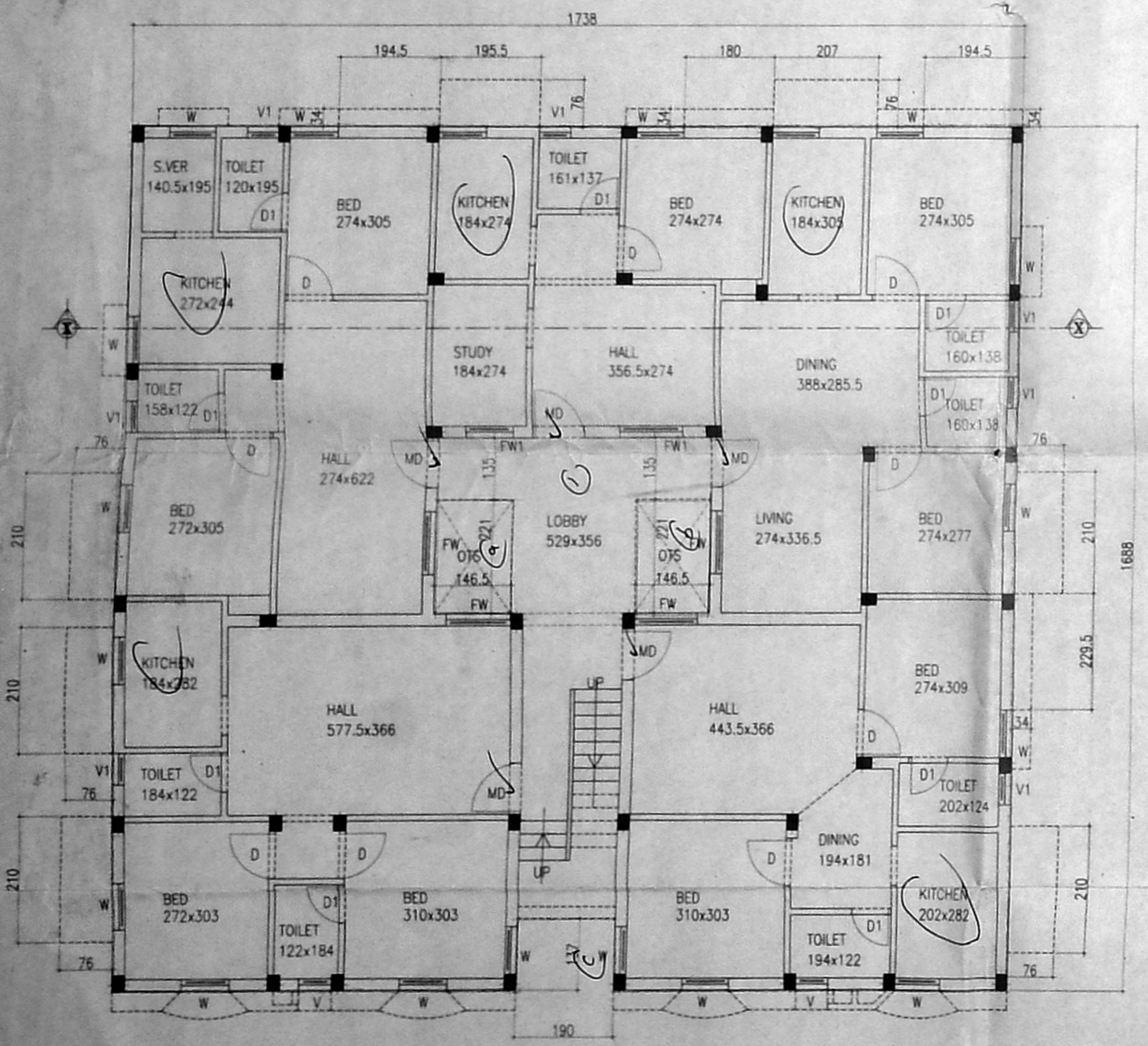
KERB WALL SECTION



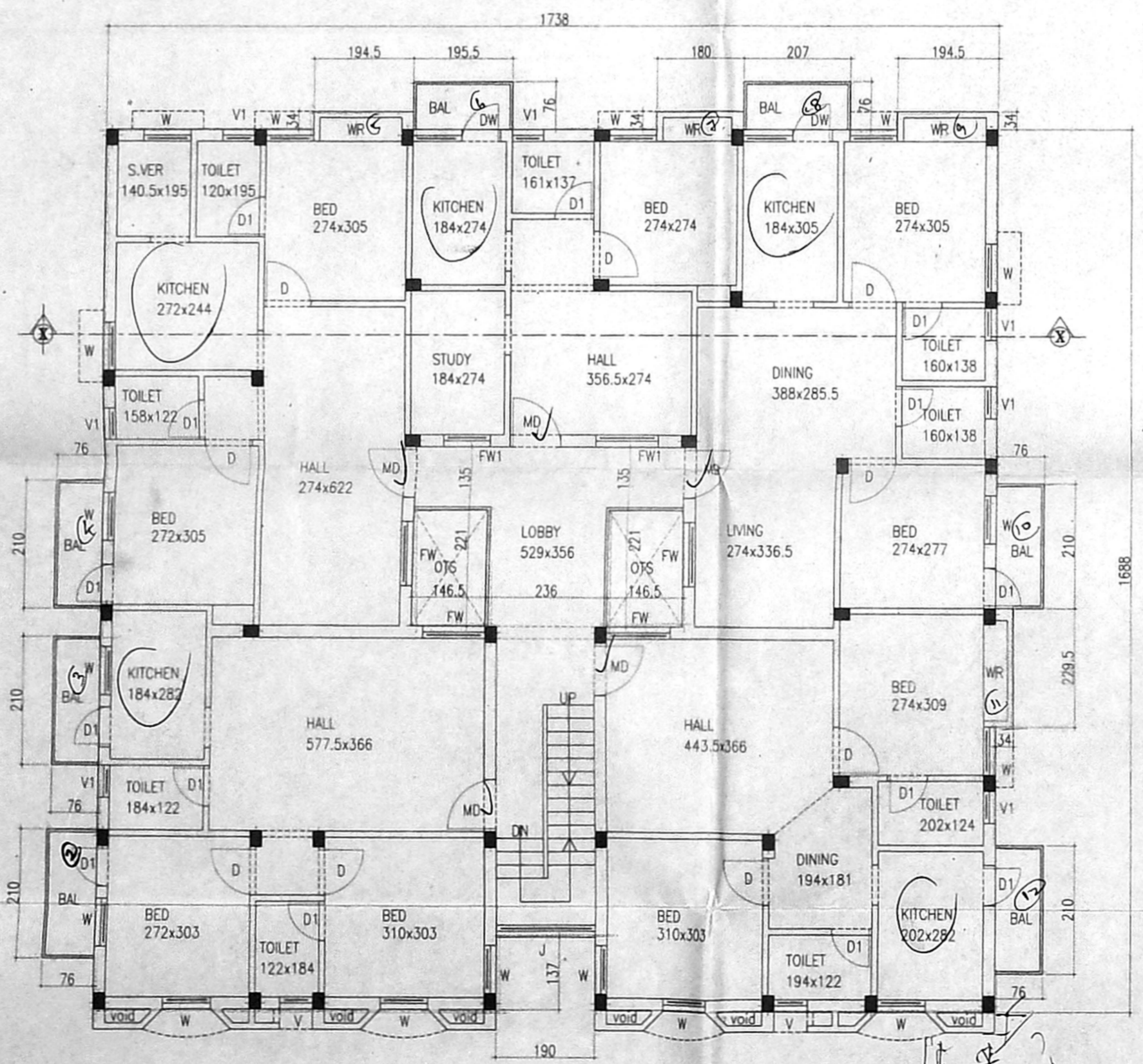
SECTION OF SUMP



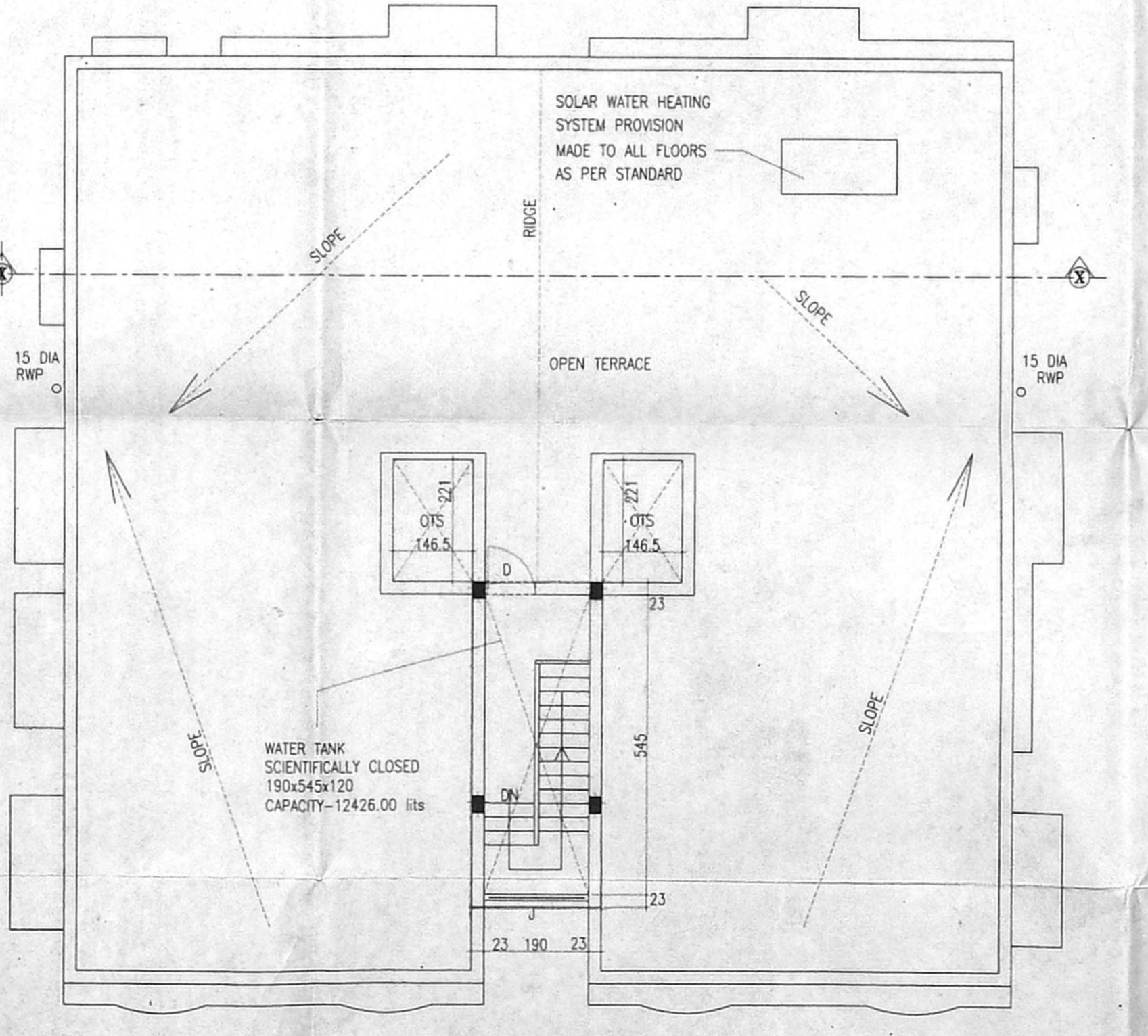
PLAN OF SUMP (CAPACITY 12960.0 LIT.)



GROUND FLOOR PLAN



TYPICAL FLOOR PLAN FIRST AND SECOND FLOOR



TERRACE FLOOR PLAN

SCHEDULE OF JOINERY OFFICE COPY

MD	MAIN DOOR	76 X 213
D	DOOR	76 X 213
D1	DOOR	76 X 213
DW	DOOR CUM WINDOW	172 X 213
W	WINDOW	91 X 122
FW	FRENCH WINDOW	122 X 180
V	VENTILATOR	76 X 40
V1	VENTILATOR	76 X 40
J	JAMB	190 X 22

SPECIFICATIONS

FOUNDATION	RCC FOOTING
WALLS	IN BRICK WORK IN CM 1.5 FOR 23TK/WALLS AND IN CM 1.4 FOR 11.5TK WALLS
PLASTERING	IN CM 1.3 FOR CEILING AND CM 1.5 FOR WALLS
JOINERY	IN WELL SEASONED WOOD FOR COLUMNS, SLABS, BEAMS, SUNSHADE AND LINTELS
RCC 1:2:4	
PAINING	TWO COATS OF CEMENT PAINT OVER ONE COAT OF PRIMER FOR ALL PLASTERED SURFACES TWO COATS OF ENAMEL PAINT FOR JOINERIES.
FLOORING	IN MOSAIC TILES IN CM 1:5 SOLAR WATER HEATING SYSTEM PROVISION MADE TO ALL FLOORS AS PER STANDARD

LEGEND

PROPOSED	[Symbol]
BOUNDARY	[Symbol]
ROAD	[Symbol]

AREA STATEMENT

PLOT AREA : 600.00 SQM (as per patta)			
FSI AREA :	SQM	NON FSI AREA :	SQM
GROUND FLOOR	284.374		
FIRST FLOOR	298.126	HEAD ROOM	13.94
SECOND FLOOR	298.126		
TOTAL	880.626		880.626
F.S.I =	880.626 / 600.00 = 1.467 < 1.50	TOTAL BUILTUP AREA	894.566
PLOT COVERAGE =	298.126 / 600.00 X 100 = 49.68% < 65%		

PROJECT

PROPOSED RESIDENTIAL APARTMENTS, AT PLOT Nos- 87 AND 88, 6th street, SRI SANKARA NAGAR, STAGE No-1 OLD SURVEY No- 143/2, T.S No- 143/272, OF PAMMAL VILLAGE, TAMBARAM TALUK, KANGIPURAM DISTRICT, CHENNAI. (PAMMAL TOWN PANCHAYAT)

APPLICANT

*Beayam*  
P. THEAGARAJAN

SCALE = 1:100

ALL DIMENSIONS ARE IN CENTIMETER

LICENSED SURVEYOR

K. SELVAM, B.E. AME. E. Eng (I) A.I.V., Consulting Civil Engineer Chartered Engineer, Approved Under Licensed Surveyor, Class I Reg No. 600/2003-2004, Door No 11-17, Thiruvalluvar Salai, Mogambar East, Chennai-600 050, Ph. 26562050, Cell: 98412 82060